

ERF5049, RF cable, 100 mm, SMA-Female & U.FL

**Features**

**Mechanical Properties**

Parameter:	Description
Connector Type:	SMA Female & U.FL
Cable Length:	100 mm ± 10
Cable type:	Coaxial 1.13
Operating Temperature Range:	-55°C~+155°C
Storage Temperature Range:	-55°C~+155°C



**Typical applications**

- RF Cable assembly
- Antenna accessory

**Electrical Properties**

Parameter:	Description
Impedance:	50 Ohm
Frequency Range:	DC - 6 GHz
VSWR:	1.3 Max
Working Voltage:	500V rms @ sea level
Insulation Resistance:	5000 Ohms min.

**Description**

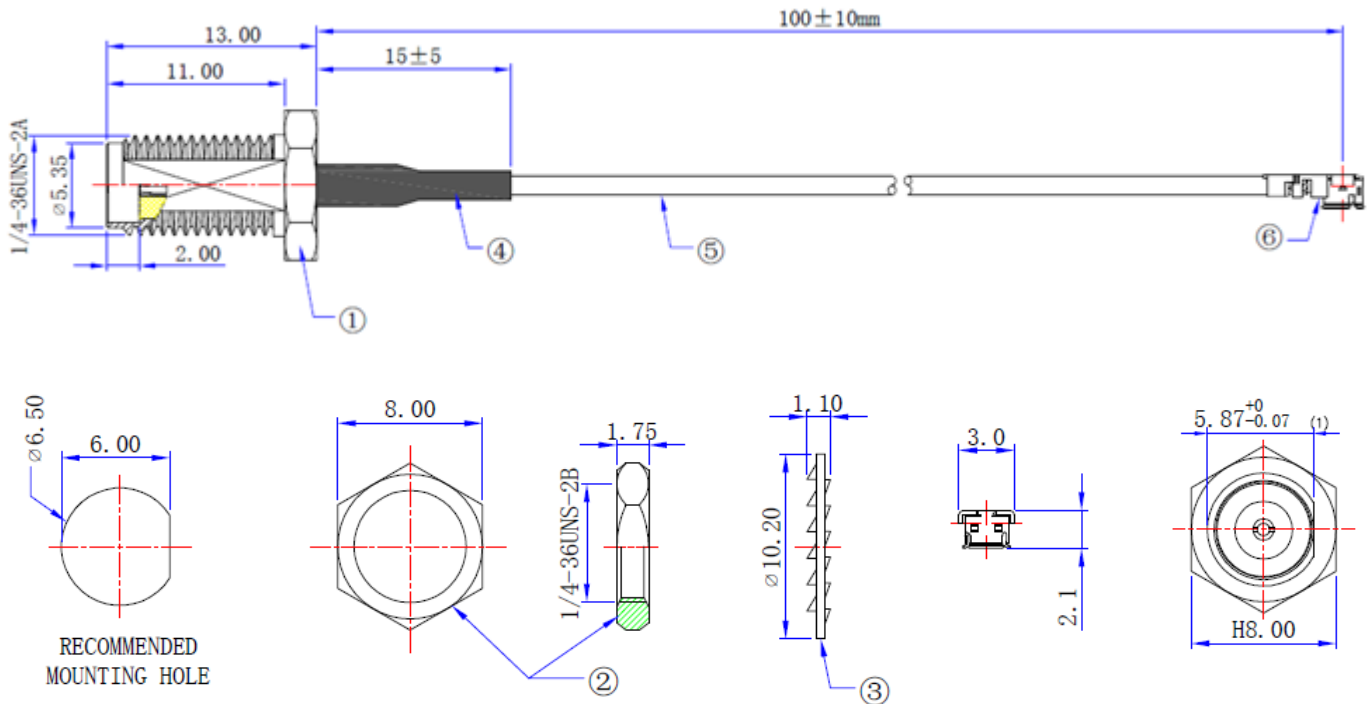
The ERF5049 is a RF-Cable suitable for RF applications. the cable has 1 SMA female connector, and 1 U.FL connector. It can be used for RF cable assemblies, and as an accessory for antenna's.

**Dimensions**

\*unit: mm

Part	Description	Material	Finish
1	SMA Jack	Brass	Gold
2	NUT	Brass	Gold
3	Washer	Iron	Gold
4	Heat shrink tubing		Black
5	Cable	OD1.13	Gold
6	IPEX U.FL	Brass	Gold

ERF5049, RF cable, 100 mm, SMA-Female & U.FL



**Connector**



The ERF5049 uses a SMA Female and an U.FL connector.

**Ordering information**

Ordering can be done via [www.summit-electronics.com](http://www.summit-electronics.com) or via [info@summit-electronics.com](mailto:info@summit-electronics.com). Please contact us for more information. Customisation of the product is available on request.

**Technical support**

For all product questions please contact us via [info@summit-electronics.com](mailto:info@summit-electronics.com)